

KUNKLE

ASME Section VIII, Air/Gas or Steam,
“UV” National Board Certified

Features

- Compact assembly allows for minimum space requirements.
- Precision lapped, metal-to-metal beveled seat provides premium shutoff.
- Warn ring for precise opening, with minimum preopen or simmer.
- Top or side outlet available.
- Each Kunkle valve is tested and inspected for pressure setting and leakage.

Model Descriptions

Model 1 - Top Outlet

Model 2 - Side Outlet

Applications

- Air and non-hazardous gas service.
- Air/Gas Compressors - portable or stationary.
- Pressure Vessels - including tanks, receivers, intercoolers, aftercoolers.
- Steam turbines, kettles, other steam-processing equipment.

Options

- Nickel plating for use on institutional equipment (variation 03).
- Vibration dampener on lift lever (variation 02).

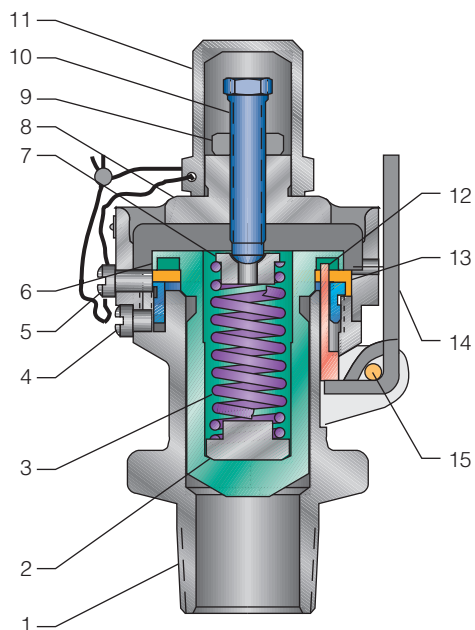
Pressure and Temperature Limits

5 to 250 psig

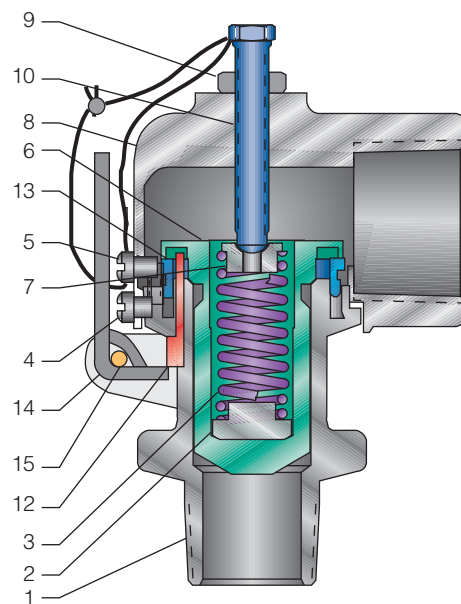
-60° to 406°F



Parts and Materials



Model 1 (top outlet)



Model 2 (side outlet)

Models 1 and 2

No.	Part Name	1 and 2
1	Body	Brass SB283-485
2	Bottom Spring Step	Brass B16
3	Spring	Steel A231 or SS A313-T631, 17-7
4	Body Lock Screw	SS Commercial
5	Regulator Ring Lock Screw	SS Commercial
6	Disc	Brass SB283-485
7	Top Spring Step	Brass B16
8	Bonnet	Brass SB283-485
9	Jam Nut	SS 18-8
10	Compression Screw	Brass B16
11	Cap	Brass B16
12	Lift Pin	Brass B16
13	Regulator Ring	Brass B16
14	Lever	Steel 1070
15	Rivet	Nickel Plated Commercial Brass

Kunkle Safety and Relief Products

Models 1 and 2 Brass Safety Valves

Capacities for Non-code¹ and ASME Section VIII Air, (SCFM) at 60°F

Set Pressure (psig)	1/2" and 3/4"	1"
5	27	46
10	37	64
15	47	80
20	54	92
25	60	103
30	67	114
35	74	126
40	80	137
45	87	148
50	93	159
55	99	170
60	105	180
65	111	191
70	116	200
75	122	210
80	127	219
85	132	228
90	137	237
95	142	246
100	146	254
105	151	262
110	155	269
115	159	277
120	163	284
125	167	291
130	171	297
135	174	303
140	178	309
145	181	315
150	184	320
155	187	326
160	189	330
165	192	335
170	194	339
175	197	343
180	199	347
185	201	350
190	202	354
195	204	357
200	206	359
205	207	361
210	208	363
215	207	361
220	208	363
225	210	365
230	210	367
235	211	368
240	212	369
245	213	370
250	213	370

Capacities for Non-code¹ and ASME Section VIII Steam, (lb/h) at Saturated Steam Temperature

Set Pressure (psig)	1/2" and 3/4"	1"
5	84	142
10	115	195
15	133	226
20	152	258
25	170	289
30	187	320
35	207	353
40	225	385
45	243	417
50	261	448
55	278	478
60	295	507
65	311	535
70	327	563
75	342	590
80	357	616
85	371	641
90	385	666
95	399	690
100	411	713
105	424	735
110	436	757
115	448	777
120	459	797
125	469	816
130	480	835
135	489	852
140	499	869
145	508	885
150	516	900
155	524	915
160	532	928
165	539	941
170	546	953
175	552	964
180	558	975
185	564	985
190	569	993
195	574	1002
200	578	1009
205	582	1015
210	585	1021
215	589	1026
220	591	1030
225	594	1034
230	596	1036
235	597	1038
240	599	1039
245	599	1039
250	600	1039

Note

1. No code stamp of "NB" on nameplate below 15 psig set.

Kunkle Safety and Relief Products

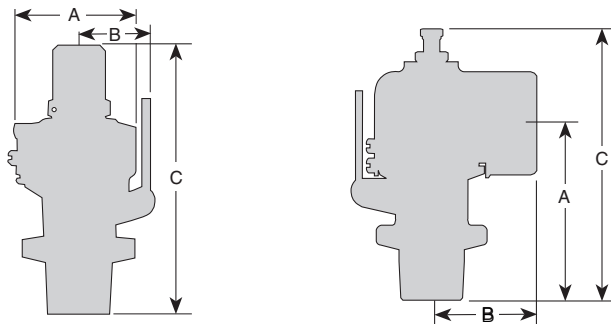
Models 1 and 2 Brass Safety Valves

Specifications

Dimensions

Model	Inlet Size, in MNPT	Outlet Size, in FNPT	Dimensions, in			Min/Max Pressure (psig)	Min/Max Temperature (°F)	Approximate Weight (lb)
			A	B	C			
1	1/2 and 3/4	N/A	1.59	0.94	3.37	5/250	-60/406	3/4
1	1	N/A	2.22	1.25	4.47	5/250	-60/406	1 3/4
2	1/2 and 3/4	3/4	2.31	1.19	3.75	5/250	-60/406	1
2	1	1	3.09	1.82	5.00	5/250	-60/406	2 1/4

Dimensions are for reference only.



Model Number/Order Guide

Model Number Position

1	2	3	4	5	6	7	8	9	10	11	12	13	14	15
---	---	---	---	---	---	---	---	---	----	----	----	----	----	----

Example

0	0	0	1	-	C	0	1	-	K	C	0	1	2	5
---	---	---	---	---	---	---	---	---	---	---	---	---	---	---

Model

0001
0002

Inlet Size

C - 1/2"
D - 3/4"
E - 1"

Variation

01 - Catalog standard
02 - Vibration dampener
03 - Nickel plate

Design Revision

Indicates non-interchangeable revision.
Dash (-) if original design.

Valve Service

K - Air/Gas ASME Section VIII
L - Steam ASME Section VIII
N - Non-code Air/Gas (<15 psig)
P - Non-code Steam (<15 psig)

Spring Material

C - Steel or Stainless Steel

Set Pressure

5 psig (0005) through 250 psig (0250)

KUNKLE

953 Old U.S. Highway 70
Black Mountain, North Carolina 28711-2549
Facility Phone: 1-828-669-3700

www.kunklevalve.com

Tyco Flow Control (TFC) provides the information herein in good faith but makes no representation as to its comprehensiveness or accuracy. This data sheet is intended only as a guide to TFC products and services. Individuals using this data sheet must exercise their independent judgment in evaluating product selection and determining product appropriateness for their particular purpose and system requirements. TFC MAKES NO REPRESENTATIONS OR WARRANTIES, EITHER EXPRESS OR IMPLIED, INCLUDING WITHOUT LIMITATION ANY WARRANTIES OF MERCHANTABILITY OR FITNESS FOR A PARTICULAR PURPOSE WITH RESPECT TO THE INFORMATION SET FORTH HEREIN OR THE PRODUCT(S) TO WHICH THE INFORMATION REFERS. ACCORDINGLY, TFC WILL NOT BE RESPONSIBLE FOR DAMAGES (OF ANY KIND OR NATURE, INCLUDING INCIDENTAL, DIRECT, INDIRECT, OR CONSEQUENTIAL DAMAGES) RESULTING FROM THE USE OF OR RELIANCE UPON THIS INFORMATION. Patents and Patents Pending in the U.S. and foreign countries. Tyco reserves the right to change product designs and specifications without notice. All registered trademarks are the property of their respective owners. Printed in the USA.