

# KUNKLE

**Model 338 is a non-code safety valve for air service, providing modulated lift and reseal action**

### Features

- Large nozzle design provides high capacity.
- Soft seat design for optimum shutoff.
- Lightweight construction.
- Valve modulates specifically for bulk transportation blower applications.
- Hardcoat anodized aluminum bonnet for corrosion protection.
- Tamper resistant cap protects factory setting.
- Each Kunkle valve is tested and inspected for pressure setting and leakage.

### Applications

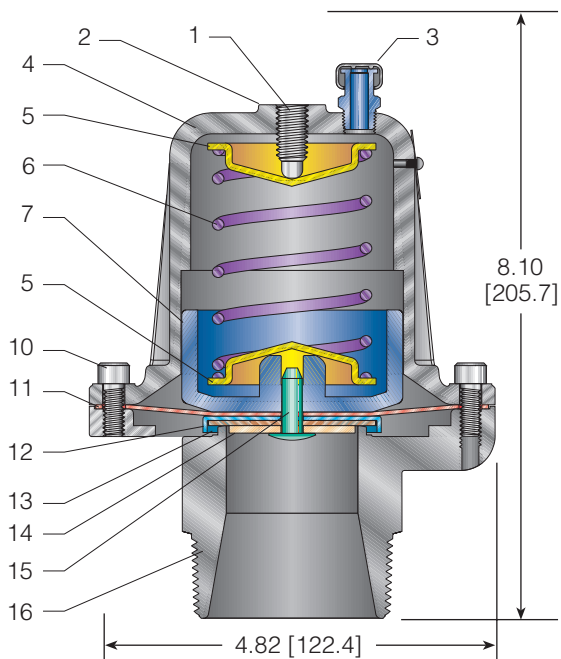
- Protection of low to medium pressure, high volume blowers.
- Bulk hauling trailers/equipment.

### Pressure and Temperature Limits

5 to 30 psig [0.69 to 2.06 barg]  
-30°F to 400°F [-34°C to 204°C]



### Parts and Materials



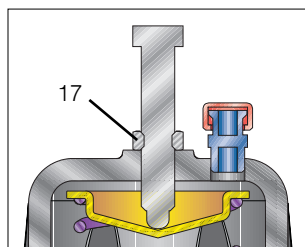
No.	Part Name	Material	Material Specification
1	Adjustment Screw	SS	SS 18-8
2	Anti-tamper Seal	Nylon	Commercial
3	Vent	CS	AISI 12L14
4	Bonnet	Aluminum	356-T6 w/anodize
5	Spring Step	Aluminum	ASTM B209-5052-H32
6	Spring	SS	17-7 or 302
7	Guide	Aluminum	356-T6 w/anodize
10	Screw	SS	SS 18-8
11	Diaphragm	Silicone	AMS-3320
12	Disc Holder	Brass	ASTM B36 Alloy 260
13	Seat Disc	Silicone	AMS-3320
14	Washer	Aluminum	6061-T6
15	Rivet, Bulb-Tite	Aluminum	Commercial
16	Nozzle	Aluminum	ASTM B26-356-T6
17	Lock Nut	SS	SS 18-8
18	Anti-tamper Sleeve	Polyolefin	VersaFit 3/4-0-FSP

### Specifications

End Connection	Model	Weight lbs. [kgs]
2.0 [50.8] NPT	338	2.7 [1.23]

### Flow Capacity (Male Threaded)

Set (psig)	Flow at Full Lift (SCFM)
5	271
7	366
9	461
12	589
15	761
18	907
20	963
23	1125
25	1220
27	1315
30	1458



**Optional** - Set Screw with Tamper-Evident Heat Shrink Sleeve that provides protection of factory setting

### Model Number/Order Guide

**Example** 0 3 3 8 - H 0 1 - N M 0 0 1 5

#### Variation

- 01 - Male Inlet, with cut-off screw
- 02 - Male Inlet, with tamper-evident sleeve

#### Set Pressure

5 psig (0005) to 30 psig (0030)

# KUNKLE

953 Old U.S. Highway 70  
Black Mountain, North Carolina 28711-2549  
Facility Phone: 1-828-669-3700

[www.kunklevalve.com](http://www.kunklevalve.com)

Tyco Flow Control (TFC) provides the information herein in good faith but makes no representation as to its comprehensiveness or accuracy. This data sheet is intended only as a guide to TFC products and services. Individuals using this data sheet must exercise their independent judgment in evaluating product selection and determining product appropriateness for their particular purpose and system requirements. TFC MAKES NO REPRESENTATIONS OR WARRANTIES, EITHER EXPRESS OR IMPLIED, INCLUDING WITHOUT LIMITATION ANY WARRANTIES OF MERCHANTABILITY OR FITNESS FOR A PARTICULAR PURPOSE WITH RESPECT TO THE INFORMATION SET FORTH HEREIN OR THE PRODUCT(S) TO WHICH THE INFORMATION REFERS. ACCORDINGLY, TFC WILL NOT BE RESPONSIBLE FOR DAMAGES (OF ANY KIND OR NATURE, INCLUDING INCIDENTAL, DIRECT, INDIRECT, OR CONSEQUENTIAL DAMAGES) RESULTING FROM THE USE OF OR RELIANCE UPON THIS INFORMATION. Patents and Patents Pending in the U.S. and foreign countries. Tyco reserves the right to change product designs and specifications without notice. All registered trademarks are the property of their respective owners. Printed in the USA.