

# KUNKLE

## Non-code Steam Service, Sentinel Relief Valves

### Features

- All parts are Stainless Steel (SS).
- Precision lapped beveled seats for optimum performance.
- Pivot between spring and disc corrects misalignment and compensates for spring side thrust.
- Each Kunkle valve is tested and inspected for pressure setting and leakage.

### Model Descriptions

**Model 40R:** 1/2" or 3/4" male NPT inlet with top discharge to give visible warning of system overpressure.

Overall height: 5 1/4"

Weight: 1 lb

**Model 40RL:** Same as 40R with plain lift lever.

Overall height: 6 1/2"

Weight: 1 1/4 lb

### Applications

- Sentinel (warning) on steam equipment. Intended as audible warning device, not for pressure relief.
- Steam turbines.

### Pressure and Temperature Limits

1 to 400 psig

-60° to 850°F



### Note

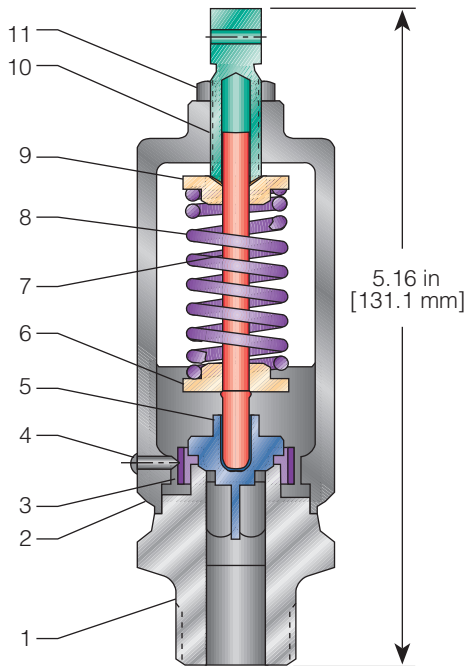
1. For other valves suitable for sentinel (warning) service, see Model 1 (250 psig, 406°F) and Models 264, 265.

### Steam Sentinel Valve, Sentinel Relief Valves

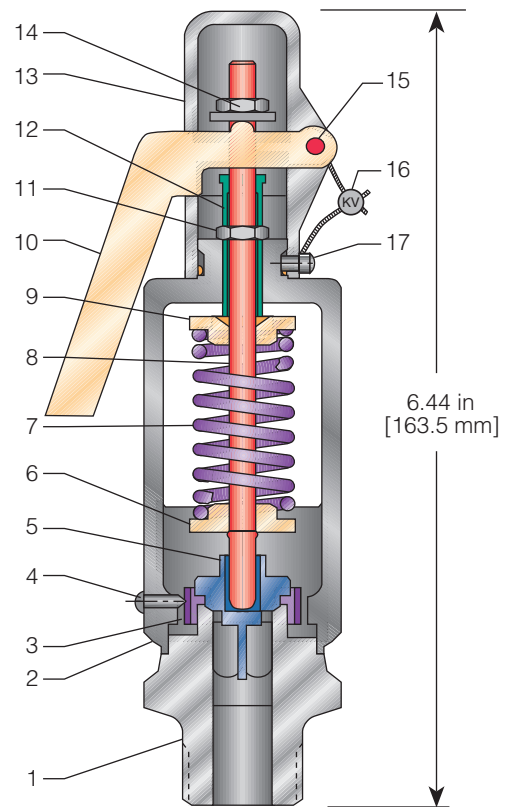
#### Parts and Materials - 40R and 40RL

No.	Part Name	Material
1	Nozzle	SA479-316
2	Yoke	A743-CF8
3	Regulator Ring	A743-CF8
4	Lock Screw, Ring	SS 18-8
5	Disc	A743-CF8
6	Lower Spring Step	A582-303
7	Stem	A582-303
8	Spring	SA313-302
9	Upper Spring Step	SA582-303
10	Compression Screw	SA479-316
11	Jam Nut	18-8
12	Pressure Screw	A479-316
13	Hood	AL SB85 A380.0
14	Lift Nut	A108
15	Rivet	Commercial
16	Seal Wire	Commercial
17	Hood Set Screw	A108
18*	Nameplate	Commercial
19*	Drive Screw	A108

\* Part not shown on assembly



**Model 40R**



**Model 40RL**

#### Model Number/Order Guide

**Model Number Position**

1	2	3	4	5	6	7	8	9	10	11	12	13	14	15
---	---	---	---	---	---	---	---	---	----	----	----	----	----	----

**Example**

0	4	0	R	-	C	0	1	-	P	E	0	0	1	5
---	---	---	---	---	---	---	---	---	---	---	---	---	---	---

#### Model

040R  
40RL

#### Inlet Size

C - 1/2"  
D - 3/4"

#### Variation

01 - Catalog standard

#### Design Revision

Indicates non-interchangeable revision. Dash (-) if original design.

#### Spring Material

E - 302 SST

#### Set Pressure

0005 - 5 psig  
0400 - 400 psig

# KUNKLE

953 Old U.S. Highway 70  
Black Mountain, North Carolina 28711-2549  
Customer Service Phone: 1-828-669-3700

[www.kunklevalve.com](http://www.kunklevalve.com)

Tyco Flow Control (TFC) provides the information herein in good faith but makes no representation as to its comprehensiveness or accuracy. This data sheet is intended only as a guide to TFC products and services. Individuals using this data sheet must exercise their independent judgment in evaluating product selection and determining product appropriateness for their particular purpose and system requirements. TFC MAKES NO REPRESENTATIONS OR WARRANTIES, EITHER EXPRESS OR IMPLIED, INCLUDING WITHOUT LIMITATION ANY WARRANTIES OF MERCHANTABILITY OR FITNESS FOR A PARTICULAR PURPOSE WITH RESPECT TO THE INFORMATION SET FORTH HEREIN OR THE PRODUCT(S) TO WHICH THE INFORMATION REFERS. ACCORDINGLY, TFC WILL NOT BE RESPONSIBLE FOR DAMAGES (OF ANY KIND OR NATURE, INCLUDING INCIDENTAL, DIRECT, INDIRECT, OR CONSEQUENTIAL DAMAGES) RESULTING FROM THE USE OF OR RELIANCE UPON THIS INFORMATION. Patents and Patents Pending in the U.S. and foreign countries. Tyco reserves the right to change product designs and specifications without notice. All registered trademarks are the property of their respective owners. Printed in the USA.